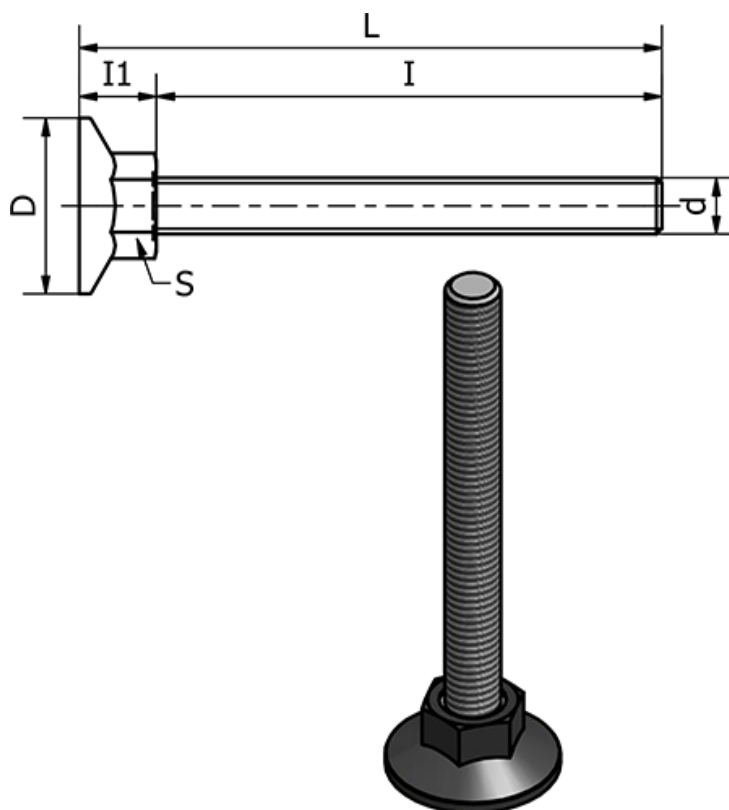


Article number: 2310431146

Description: E+G Levelling elements
LX.40-SW17-SST-M10X72

Measures



d = M10

D = 40

I = 72

I1 = 13

L = 82.5

S = 17

Static load in (N) = 3000

Type = AISI 304 Rustfast

Weight (g) = -